

Bun 25



Front loading / exiting



Belt and temperature control

The Bun 25 is Star line's reliable countertop unit, designed especially for toasting hamburger buns. It creates a more accessible and functional workspace for your kitchen.

With variable top and bottom temperature control as well as belt speed control, and turbo fan cooled features, the Bun 25 is a commercial kitchen's ultimate hamburger bun toasting unit.



W.CVT.BUN.25

FEATURES & BENEFITS

- Front loading, front exiting conveyor toaster ideal for hamburger buns
- Long life metal incaloy elements for continuous use
- Available in 25 Amp model
- Variable top and bottom independent temperature controls
- Variable speed belt control
- Stainless steel construction
- Chamber clearance of 55mm
- Capable of producing over 250 buns per hour
- Supplied with no plug or lead for hard wiring on site by a qualified electrician. Optional factory fitted plug and lead is available, see below*

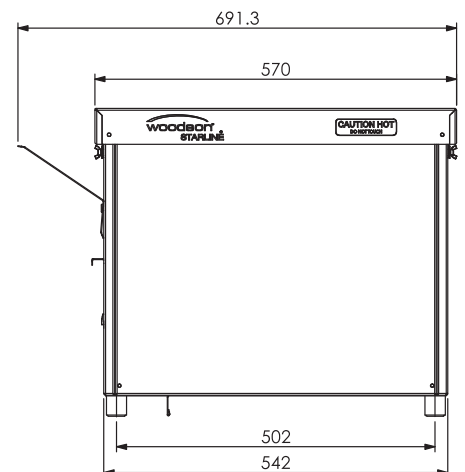
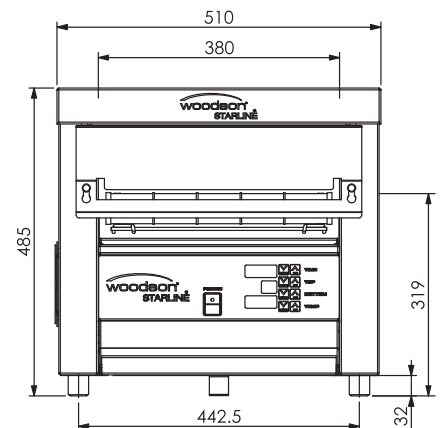
*OPTIONS

- Optional factory fitted single phase 32 Amp 3 pin plug with 2 metre lead (must be selected at time of order)

SPECIFICATIONS

kW 6 **Amps 25**
Width 510mm **Depth 570mm**
Height 485mm

Dealer:



We reserve the right to alter specifications of products without notice. All dimensions are in mm.